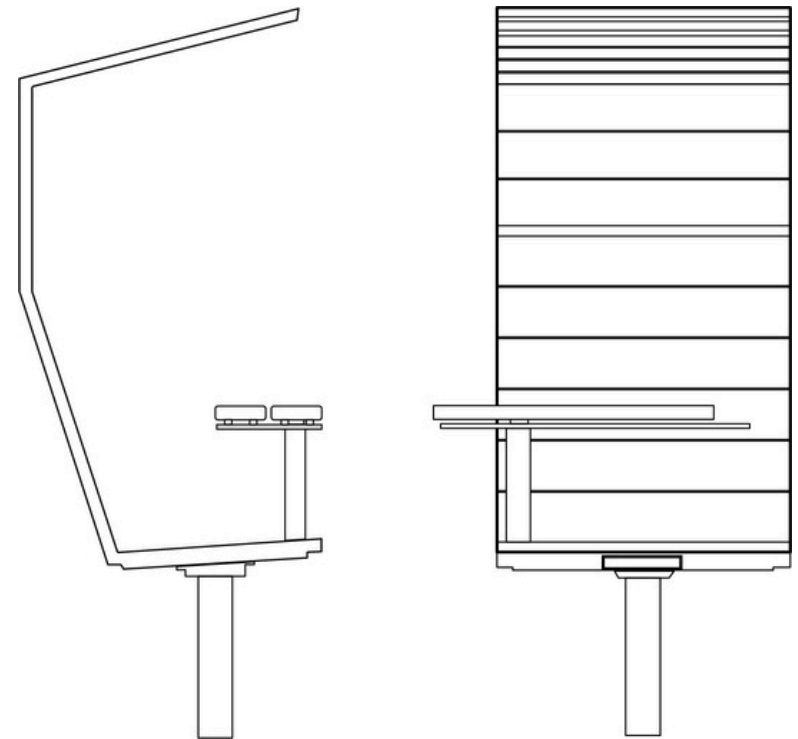


**#THE BUG**  
**#ASSEMBLY**  
**#USER GUIDE**  
**#PRODUCT SHEET**  
**#SUSTAINABILITY**



lovisa@lovisaofsweden.se  
+46 73 952 34 69

LOVISA  
OF SWEDEN

LOVISA  
OF SWEDEN

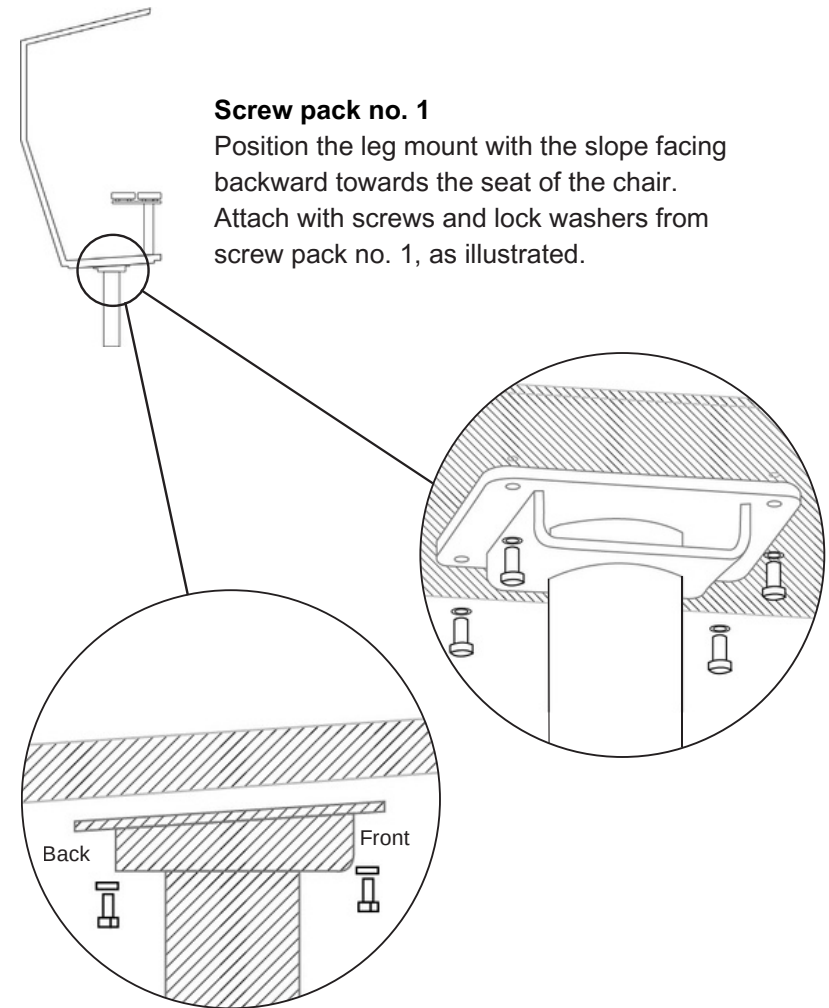
# #CONTENTS

## TABLE OF CONTENTS

Assembly, of table.....	3 - 5
Assembly, of terrace mount.....	6
Assembly, of cast-in foot.....	7
Assembly, of StopDigging-ground screw.....	8
User Guide.....	9
Sustainability & Production.....	10
Product Sheet.....	11 - 12
Anchoring Options.....	13
Size & Packaging.....	14

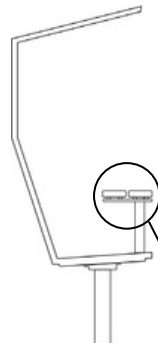
# #ASSEMBLY

## OF TABLE



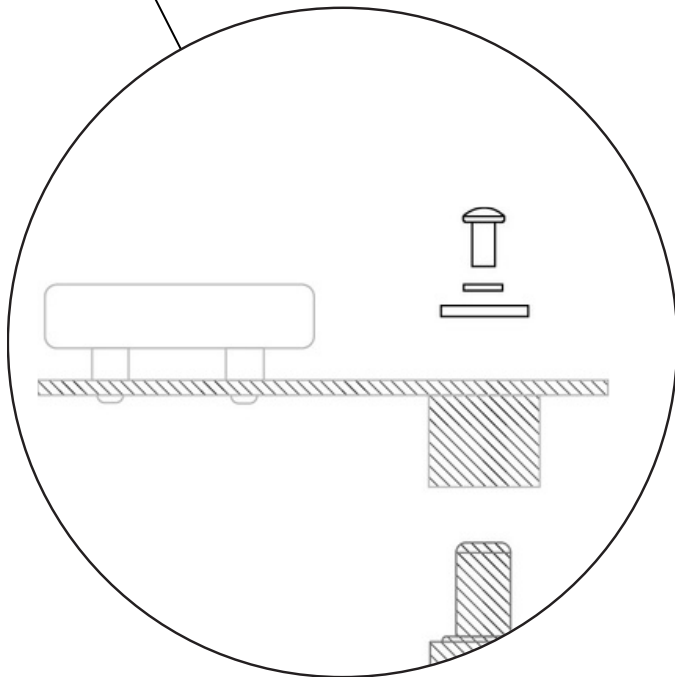
# #ASSEMBLY

OF TABLE



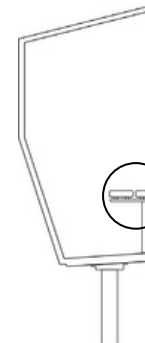
## Screw pack no. 2

Attach the tabletop to the tablelegs using screws and washers from screw pack no. 2, as illustrated.



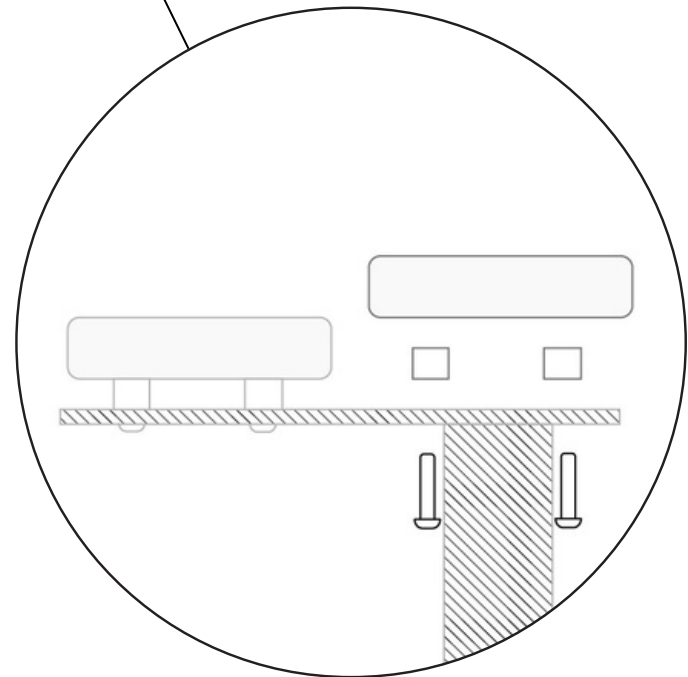
# #ASSEMBLY

OF TABLE



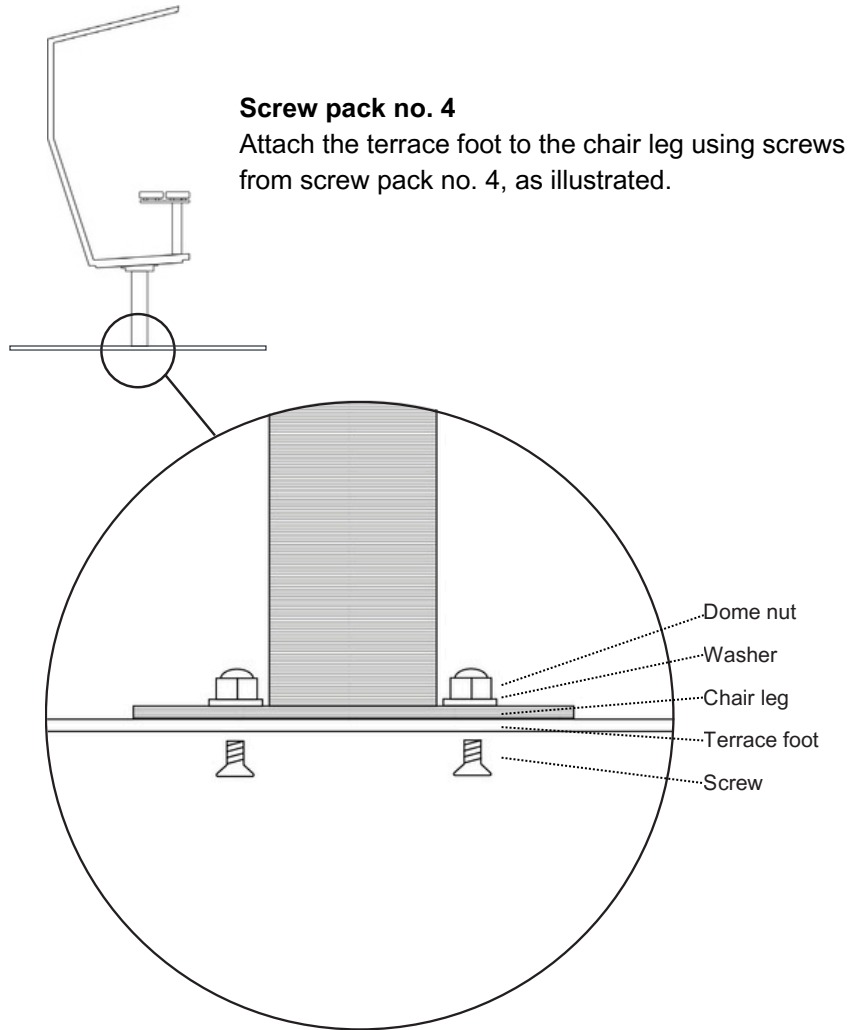
## Screw pack no. 3

Secure the wooden table to the tabletop using screws and spacers from screw pack no. 3, as illustrated.



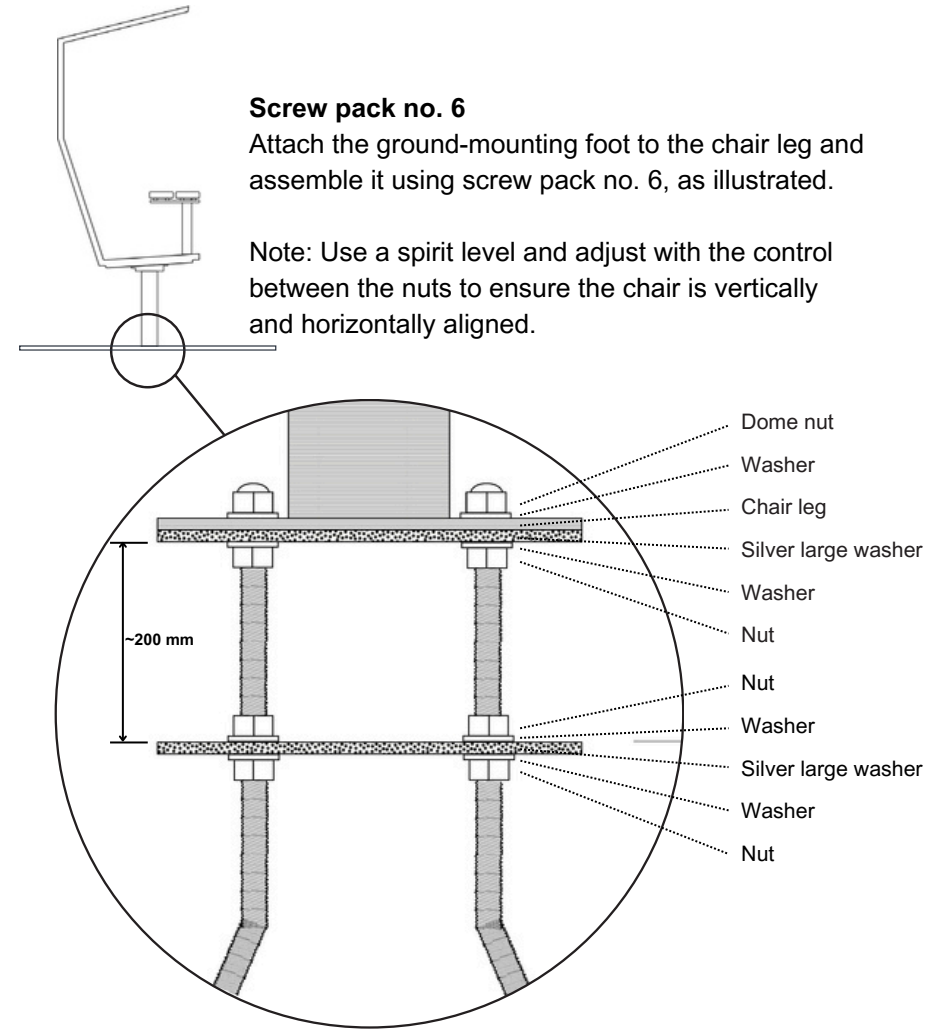
# #ASSEMBLY

## OF TERRACE MOUNT



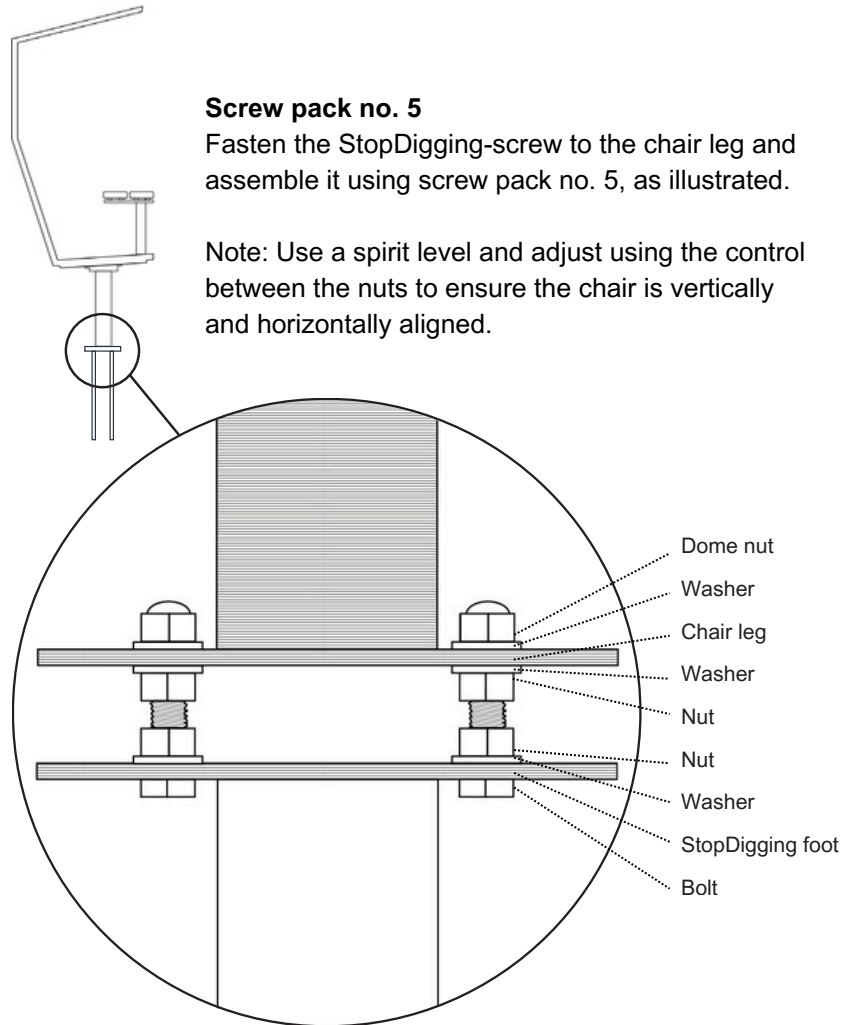
# #ASSEMBLY

## OF CAST-IN FOOT



# #ASSEMBLY

## OF STOPDIGGING-GROUNDSCREW



# #USER GUIDE

## Usage

This chair is designed for public spaces and is intended solely for sitting. It is built to support a person weighing up to 120 kg (265 lbs). Damage caused by misuse, such as climbing onto the roof, is not covered by our liability.

## Winter Conditions

The chair is built to withstand year-round outdoor exposure, but it should be cleaned twice a year to maintain its quality and appearance.

## Easy Maintenance

The chair can be cleaned using regular soap or a mixture of 24% vinegar, dish soap, and water. We recommend cleaning it twice a year to maximize its lifespan.

For wooden parts, applying linseed oil once a year is recommended to preserve its golden-brown color.

Do not use a trimmer around the chair legs, as it may damage or remove the coating.

## Disclaimer

We do not take responsibility for improper use of the product.

## Modifications

No modifications or alterations may be made without prior consultation with Lovisa of Sweden AB. For more details, refer to our general terms and conditions.

# #PRODUCT SHEET

## Bushings

The bushings are made of brass with a Teflon-coated interior, making them self-lubricating.

## Signs

The sign embedded in the table is made of anodized aluminum, while the sign on the backrest is made of stainless aluminum.

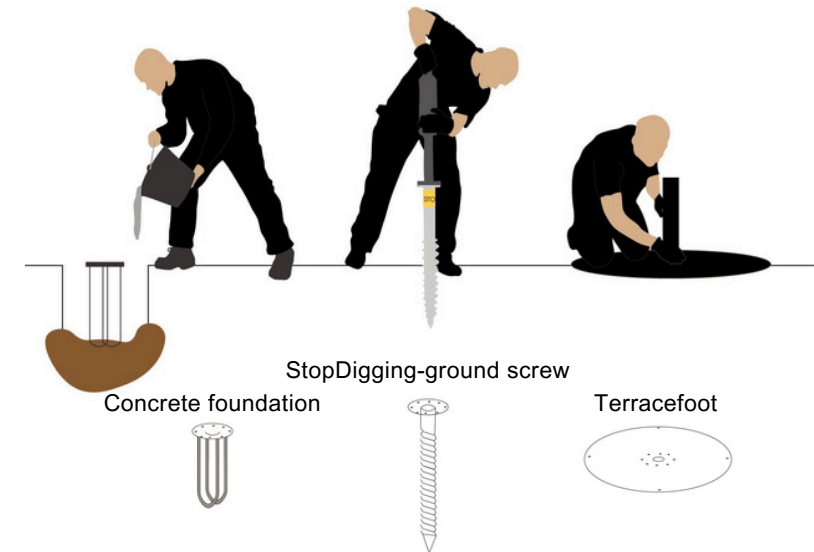
## Production

The chair is manufactured in Gävleborg and Dalarna, Sweden.

## Packaging

Until 2025, all products are bulk-packed on pallets. From 2025, products will be individually packed using corrugated cardboard and zip-lock bags made from recyclable PP plastic.

# #ANCHORING OPTIONS

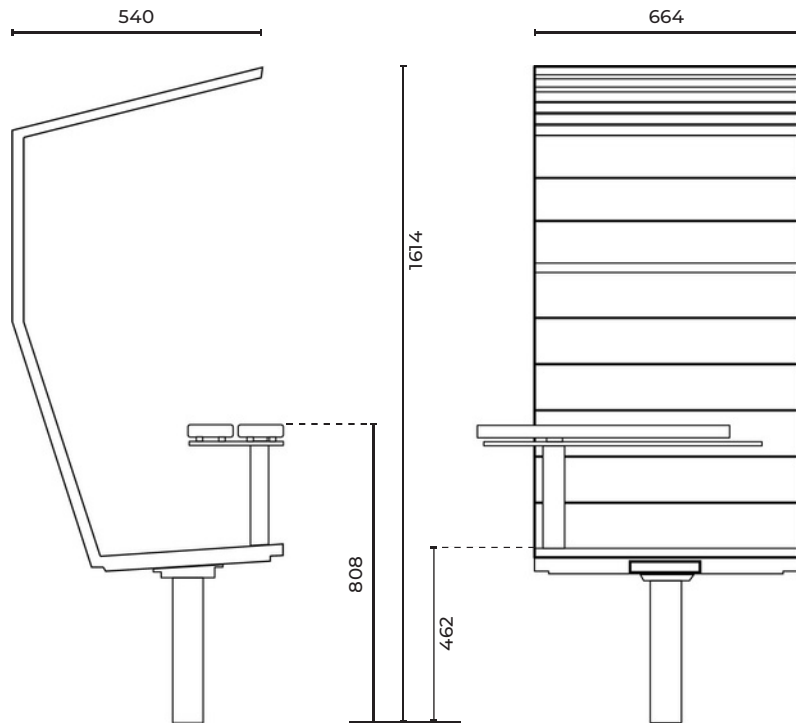


## Anchoring Options

The chair can be anchored in three different ways:

1. Anchored into the ground using a traditional concrete foundation.
2. Anchored into the ground using the StopDigging ground screw. No digging is needed. Use the screw named "SGC" from StopDigging. Read more at [stopdigging.co.uk](http://stopdigging.co.uk).
3. Anchored on an external base, allowing for repositioning on terraces or similar surfaces.

# #SIZE & PACKAGING



## Chair

Width: 664 mm + table extension (for one chair and all components)  
Height: 1614 mm  
Depth: 540 mm  
Seat height: 462 mm  
Weight: approx. 65 kg

## Pallet

Pallet dimensions: 1200 x 800 mm  
Packed pallet height: 850 mm  
Packed pallet weight: approx. 70 kg

## Thank you for choosing The Bug!

We hope your installation went smoothly and that you will enjoy your new furniture for years to come.

The Bug is designed to provide a comfortable and sustainable outdoor workspace—perfect for both work and relaxation.

Do you have any questions? Feel free to contact us!

Thank you for your support and for contributing to a more flexible and sustainable outdoor environment.

## Lovisa of Sweden

[www.lovisaofsweden.se](http://www.lovisaofsweden.se)